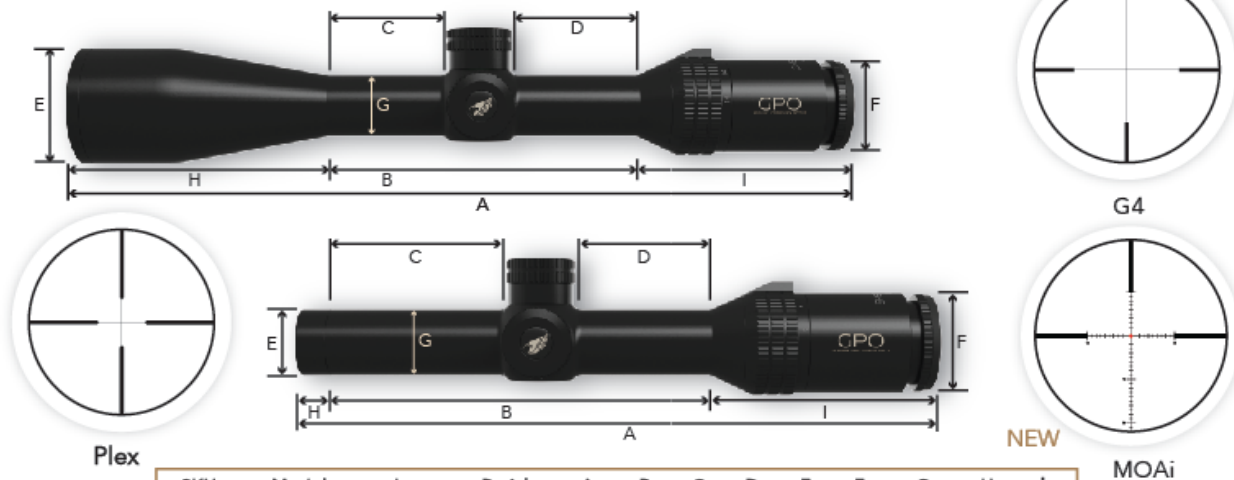
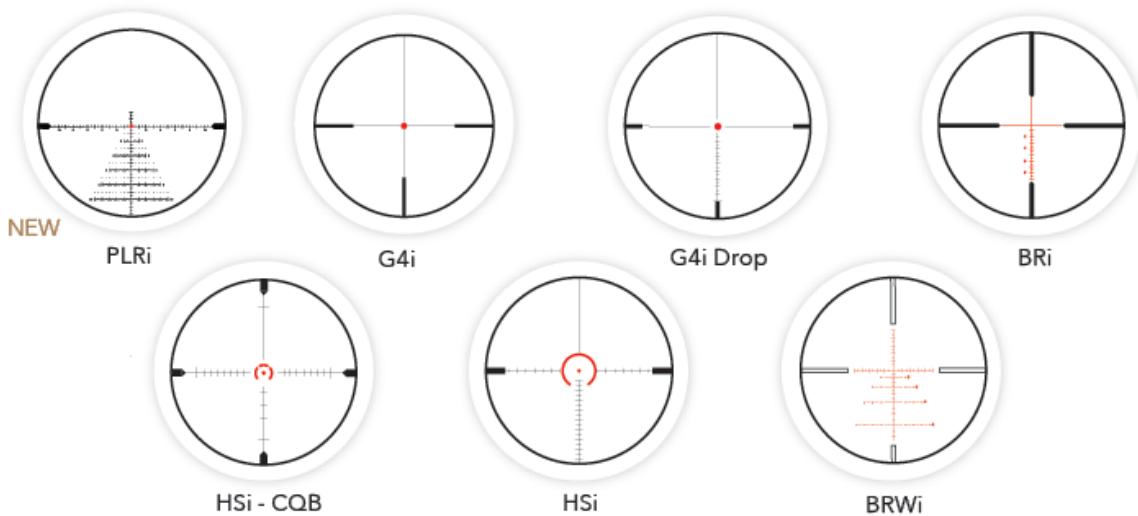


# RIFLESCOPE MEASUREMENTS AND RETICLE OPTIONS



SKU	Model	Item	Reticle	A	B	C	D	E	F	G	H	I
dimensions in inches												
Inches												
R310	PASSION™ 3X	3-9x42	Plex	12	5.4	2.1	2.1	1.8	1.7	1in.	3.1	3.5
R350	PASSION™ 3X	4-12x42	Plex	12.2	5.7	2.4	2.1	1.8	1.7	1in.	3.2	3.5
R360	PASSION™ 3X	4-12x50i	Plex	12.2	5.7	2.4	2.1	1.8	1.7	1in.	3.2	3.5
R400	PASSION™ 4X	3-12x56	G4	13.4	4.8	1.6	1.9	2.2	1.8	30mm	4.4	3.7
RS420	SPECTRA™ 4X	2.5-10x44	G4	13.3	5.4	1.8	1.9	2.1	1.8	30mm	3.9	4.1
RS421	SPECTRA™ 4X	2.5-10x44i	G4i Drop	13.3	5.4	1.8	1.9	2.3	1.8	30mm	3.9	4.1
RS441	SPECTRA™ 4X	4-16x50i	G4i	14.7	6.0	2.1	2.3	2.3	1.8	30mm	4.8	4.0
RS442	SPECTRA™ 4X	4-16x50i	G4i Drop	14.7	6.0	2.1	2.3	2.5	1.8	30mm	4.8	4.0
RS560	SPECTRA™ 5X	3-15x56i	G4i	14.6	5.7	1.8	2.5	1.2	1.7	30mm	4.9	4.0
RS610	SPECTRA™ 6X	1-6x24i	G4i	11.4	6.8	3.0	2.3	1.6	1.8	30mm	0.5	4.0
RS620	SPECTRA™ 6X	1.5-9x32i	G4i	12.6	5.9	2.1	2.3	2.0	1.8	30mm	2.7	4.0
RS630	SPECTRA™ 6X	1.5-9x44i	G4i Drop	13.4	5.9	2.1	2.3	2.0	1.8	30mm	3.6	4.0
RS631	SPECTRA™ 6X	1.5-9x44i	G4i	13.4	5.9	2.1	2.3	2.0	1.8	30mm	3.6	4.0
RS640	SPECTRA™ 6X	2-12x44i	BRWi	13.4	5.6	1.8	2.3	2.3	1.8	30mm	3.8	4.0
RS650	SPECTRA™ 6X	2-12x50i	G4i	13.4	5.6	1.8	2.3	2.3	1.8	30mm	3.8	4.0
RS660	SPECTRA™ 6X	3-18x56i	BRi	14.6	5.7	1.8	2.5	2.5	1.7	30mm	4.9	4.0
RS673	SPECTRA™ 6X	4.5-27x50i	MOAi	14.1	5.6	2.2	2.0	2.3	1.8	34mm	4.8	3.8
RS800	SPECTRA™ 8X	1-8x24i	G4i	10.1	6.4	2.8	2.0	1.2	1.7	30mm	0.2	3.5
RS820	SPECTRA™ 8X	2-16x44i	G4i	12.3	5.6	2.1	2.0	2.1	1.7	30mm	3.3	3.4
RS821	SPECTRA™ 8X	2-16x44i	BRi	12.3	5.6	2.1	2.0	2.1	1.7	30mm	3.3	3.4
RS830	SPECTRA™ 8X	2.5-20x50i	G4i	14.8	6.6	2.3	2.7	2.3	1.7	30mm	4.2	4.0
RT610	GPOTACT™	1-6x24i	HSi-CQB	10.6	6.4	2.3	2.6	1.2	1.8	30mm	0.7	3.9
RT820	GPOTACT™	1-8x24i	HSi	10.7	7.0	2.5	2.7	1.3	1.8	34mm	0.7	3.3
RS831	GPOTACT™	2.5-20x50i	BRi	14.8	6.6	2.3	2.7	2.3	1.7	34mm	4.2	4.0
RS670/671	GPOTACT™	4.5-27x50i	LRIPro/PLRi	14.1	5.6	2.2	2.0	2.3	1.8	34mm	4.8	3.8



RIFLESCOPE MEASUREMENTS / RETICLES