



GERMAN · PRECISION · OPTICS

SPECTRA BINOCULARS

8x32

10x32

8x42

10x42

Dear customer,

we are delighted that you have chosen our SPECTRA binocular and would like to thank you for trusting in our products. It is important for us to provide you with the best product and if ever needed, the best service support available so that you can enjoy your outdoor passion to the fullest.

Repairs should be solely handled by an authorized repair location or GPO GmbH & Co. KG. The improper and unauthorized usage, disassembly or repair of the products by non-authorized repair business may result in the termination of this products warranty.

Safety information



Please carefully read these safety instructions and follow these guidelines when using this product.



Never look directly into the sun, bright light sources or laser based light sources through your binocular. This can cause irreparable eye damage. Optics in binoculars function as a magnifying glass, therefore dramatically increasing the intensity of the light source.



Store the binocular and all accessories included with this product out of the reach of children. Some of our products may contain small parts which could create a choking hazard for small children, or nylon straps which could create a strangulation hazard.

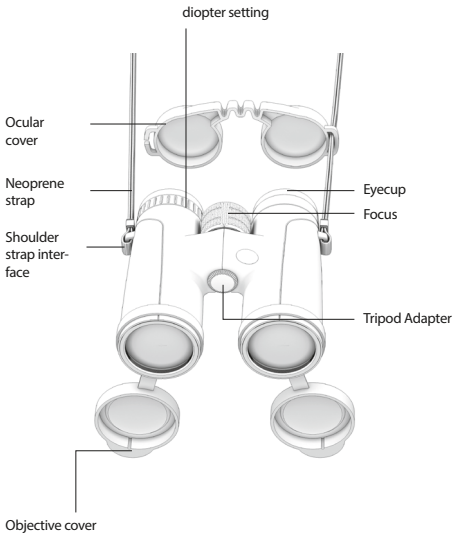


Be cautious when touching metal parts when the product has been stationary and extensively exposed to the sun or to freezing cold, as extremely hot or extremely frozen metal components may cause an injury to exposed skin.

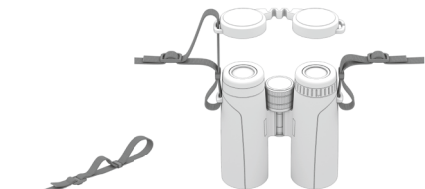


After using this product, always use the protective covers provided to avoid accidental light magnifying, which may create a fire.

Avoid improper shock, such as dropping this product. It is an optical instrument and damage may occur

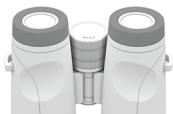


Mounting of the shoulder strap



Eyecup adjustment

The rotary eyecup has two break positions for different applications. The different break positions allow you to custom adjust the distance between your eye and the ocular lens. This beneficial feature allows you to be able to adjust the eye distance to your personal preferences. This adjustment creates additional benefits for use with and without eye glasses.



Use with glasses:

Most frequently, users wearing eyeglasses will need to adjust the rotary eyecups completely down. Twist the eyecups clockwise.

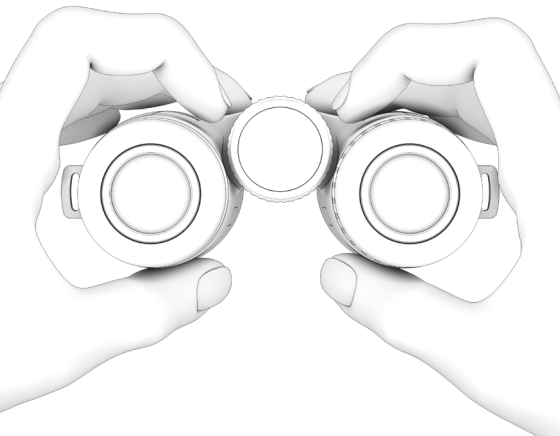


Use without glasses:

Most frequently, users not wearing eyeglasses will need to adjust the rotary eyecup completely up. Twist the eyecup counterclockwise until the eyecup is fully extended. Users not wearing eyeglasses may also find the full field of view more comfortable with the eyecup slightly rotated down. For this purpose, there are additional break positions for your use and your personal preference.

Adjustment of the interpupillary distance (ipd)

Interpupillary distance (IPD) is the distance between the center of the pupils of the two eyes. For a full "field of view", the IPD of the binocular must be adjusted to match the IPD of the user. This can be accomplished by simply opening or closing (buckling) the center hinge of both binocular halves while looking through the binocular. The IPD adjustment is correct when you can see a clear single circular picture with both eyes open.



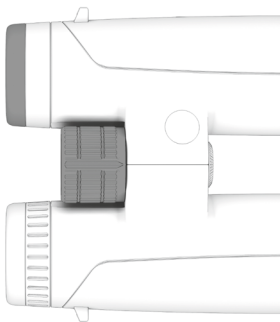
Adjustment of the diopter

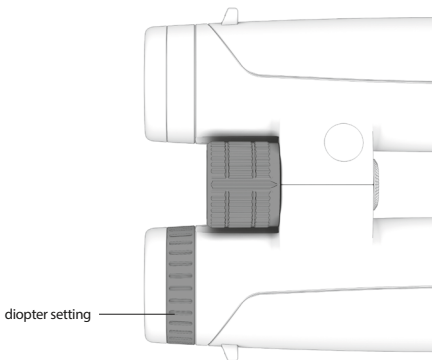
since most users have a minor visual acuity difference between their left eye and right eye, the diopter is an adjustment feature that allows the user to custom focus each side of the binocular to the correct vision of each eye. To compensate for possible imbalances of the vision between both eyes, you can adjust this binocular to your individual needs. The diopter adjustment ring is located on the right ocular below the eyecups. Make sure the interpupillary distance (IPD) is adjusted correctly. See instruction above.

Make sure the interpupillary distance (IPD) is adjusted correctly. See instruction above.

Select an object to be viewed at a distance of more than 20 meters (appx 20 yards).

Cover or close your RIGHT eye. Using the center focus wheel, focus your LEFT eye on your selected object until the picture is sharp.





Cover or close your LEFT eye. Using the diopter adjustment ring, focus your RIGHT eye on your selected object until the picture is sharp.

Your binocular is now adjusted to your personal visual acuity in each eye. The diopter is locked in place and will not need further adjustment. You can now view any object at any distance by using the center focus wheel.

Care, cleaning and maintenance

You can clean the optics of your product with the optical micro-fiber cleaning cloth provided with your product, or by using other lens cleaning equipment solely intended for optical cleaning purposes.

Be sure to keep the optical surfaces clean and immediately remove any dirt or oil debris caused by grease (finger prints), oil or water spots to guarantee consistent optical quality.

To clean the exterior lenses of your product, be sure to first remove any granular dirt or debris that may cause scratching during the cleaning process. Be aware that rough granular dirt particles must be removed with either an air bellows or a clean hair brush. Otherwise, this may lead to damage of the optical coating or scratches on your lens. Once large debris is removed, slightly breath onto the optical surfaces to create a damp fog, then use the dry optical cleaning micro-fiber cloth provided to clean the lens surfaces. All other outside mechanical parts, as well as the rubber armor, can be cleaned with a normal soft, clean and slightly damp cloth. Please do not use the optical cleaning micro-fiber cloth to clean the outside parts or the rubber armor. This micro-fiber cloth must remain free of any physical granular debris.

Proper storage

After using the binocular it is recommended to store it dry, in the case that came with your product, in a well-ventilated room, at normal to low humidity levels, in normal room temperatures.

If you use your product in a region with high humidity, store your product in an airtight container with a humidity absorption aid to avoid any exterior fungus adhesion

Spare parts

If you need spare parts or accessories for your binocular, please contact an authorized dealer or GPO GmbH & Co. KG.

Technical specs

		8x32	10x32	8x42	10x42
Magnification		8x	10x	8x	10x
Objective diameter	(mm)	32	32	42	42
Exit pupil	(mm)	4	3,28	5,25	4,2
Field of View	(m/100m)	136	105	142	113
Close focus distance	(m)	2	2,5	2	2,5
Diopter adjustment	(dpt.)	+/- 3	+/- 3	+/- 3	+/- 3
Eye relief	(mm)	16	15	18	16
Pupil distance (IPD)	(mm)	56-73	56-73	56-75	56-75
Nitrogen filling		•	•	•	•
Water proof		•	•	•	•
Length	(mm)	125	125	145	145
Gewicht	(g)	500	500	669	669

Accessories

	8x32	10x32	8x42	10x42
Carrying bag	•	•	•	•
Neopren shoulder strap	•	•	•	•
Micro-fiber cleaning cloth	•	•	•	•
Objective protective caps set	•	•	•	•
Ocular protective cap	•	•	•	•
Manual	•	•	•	•

GPO GmbH & Co. KG

Wildmoos 9
82266 Inning am Ammersee
Germany
Tel.: +49 (0) 8142/99 20 87 0
Fax: +49 (0) 8142/99 20 87 9
Email: gp-optics.com
www.gp-optics.com

